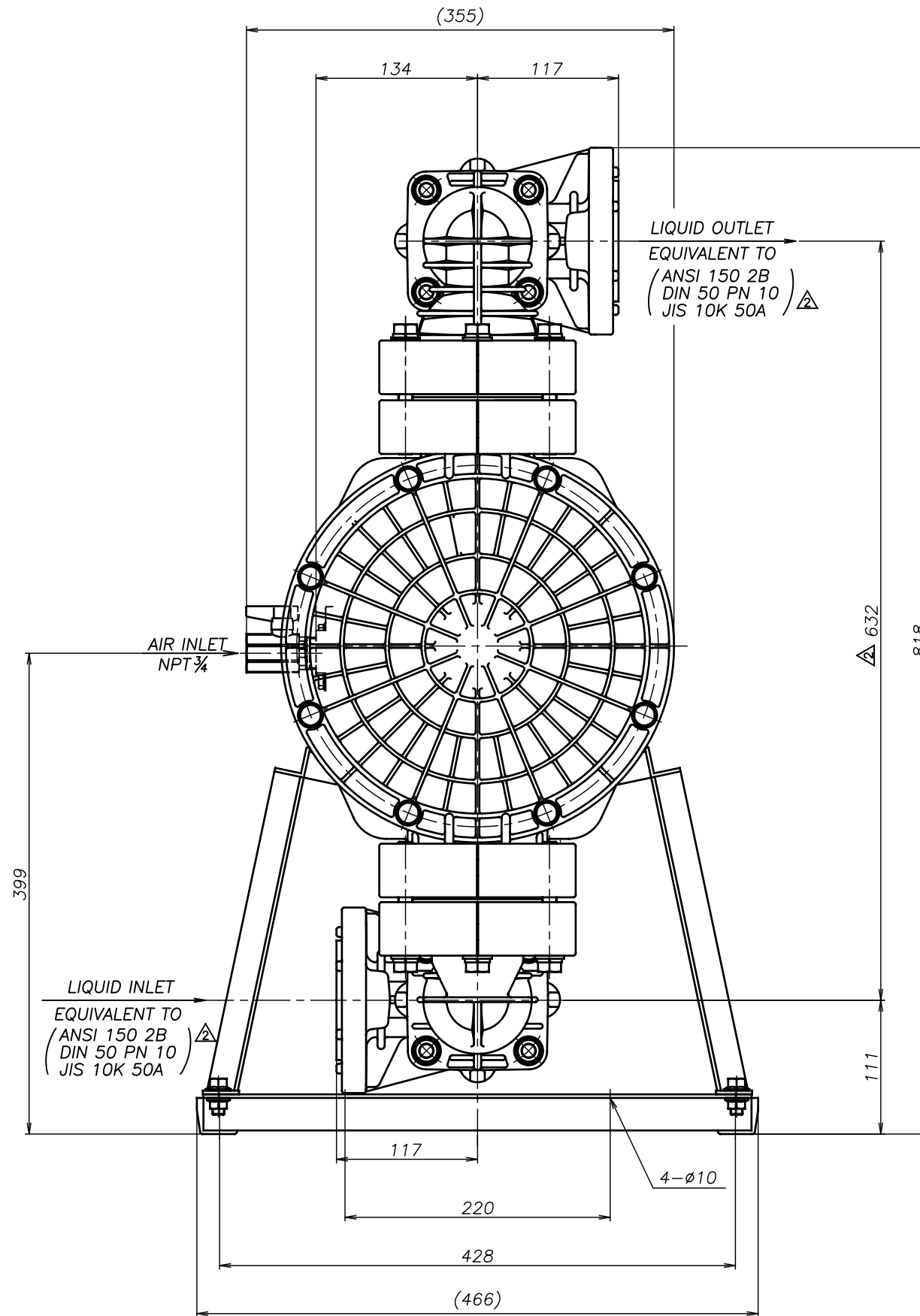
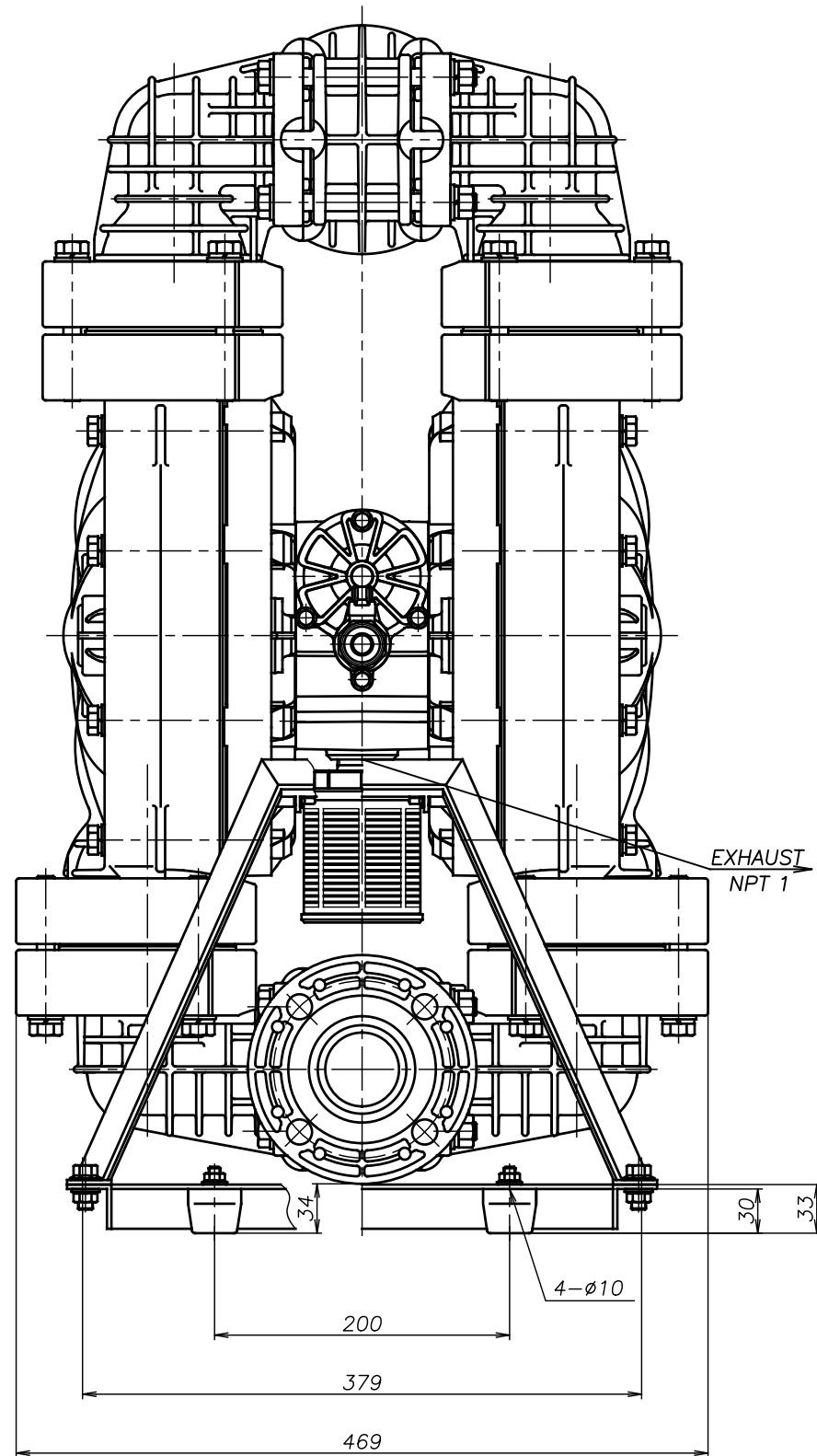


SYM	DWG.NO	CHANGE NO	DATE	REV'D BY
△	ALL	1ME0003	'15. 4.15	K.Nakada
△	ALL	1BE0005	'19.10.28	K.Nakada
△	ALL	1BE0006 異記訂正	'20. 6.23	K.Nakada



△TC-X500GSA	THIRD ANG. PROJ.	DWG.NO.
	SCALE Free	1M00413YN-C
△TC-X500GHA	THIRD ANG. PROJ.	DWG.NO.
	SCALE Free	1M00412YN-C
△TC-X500GTA	THIRD ANG. PROJ.	DWG.NO.
	SCALE Free	1M00411YN-C
△TC-X500GVA	THIRD ANG. PROJ.	DWG.NO.
	SCALE Free	1M00410YN-C
△TC-X500GEA	THIRD ANG. PROJ.	DWG.NO.
	SCALE Free	1M00409YN-C
△TC-X500GNA	THIRD ANG. PROJ.	DWG.NO.
	SCALE Free	1M00408YN-C
APP'D BY '20. 8.18 S.Murata	THE DWG. OF:	ダイアフラムポンプアセンブリ
CHECKED BY '20. 8.18 K.Nakano	DIAPHRAGM PUMP ASSEMBLY	
DRAWN BY '20. 8.18 K.Nakada	△TC-X500GCA	THIRD ANG. PROJ. DWG.NO.
YTS Co., Ltd JAPAN	SCALE Free	1M00407YN-C