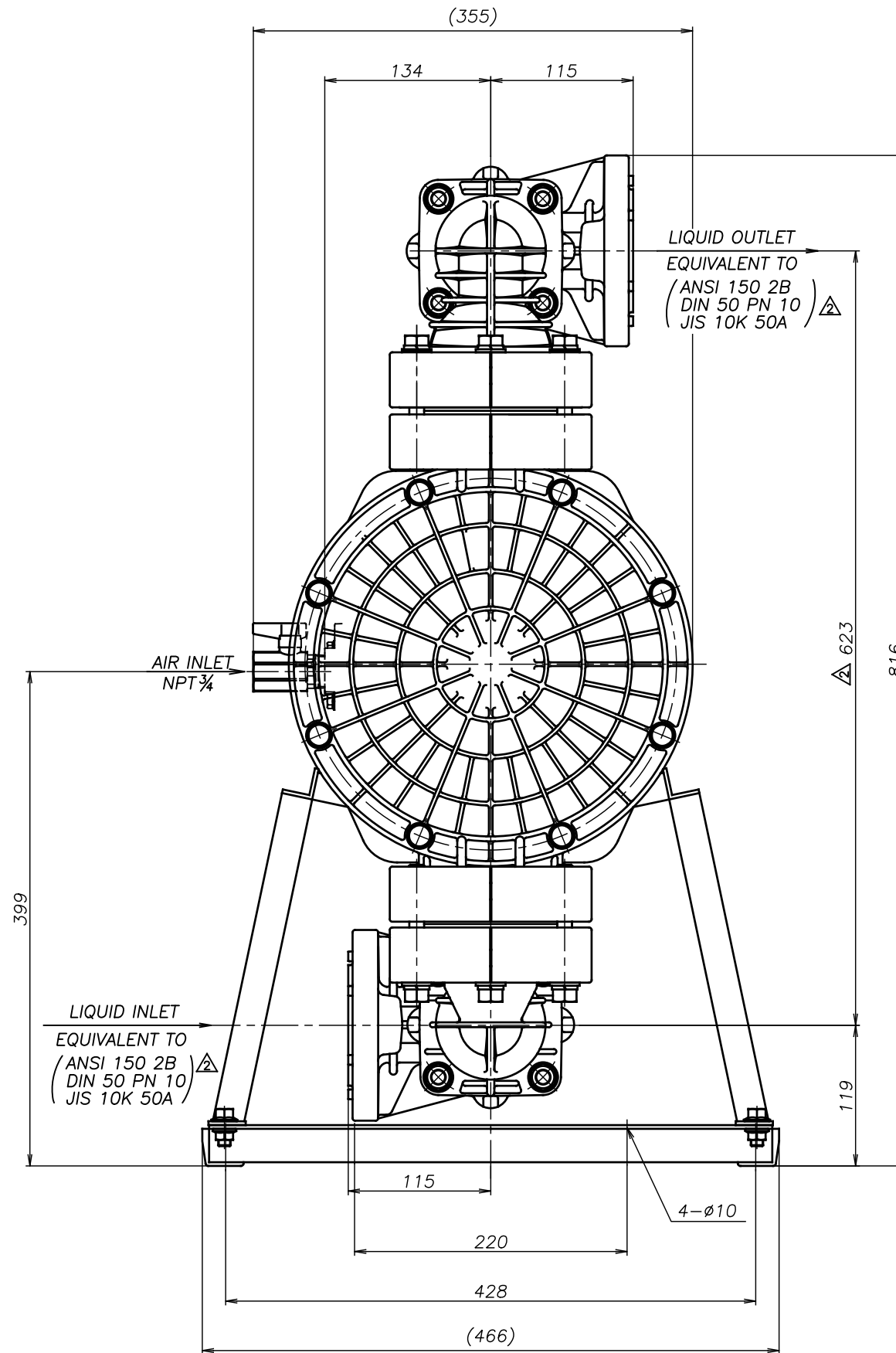
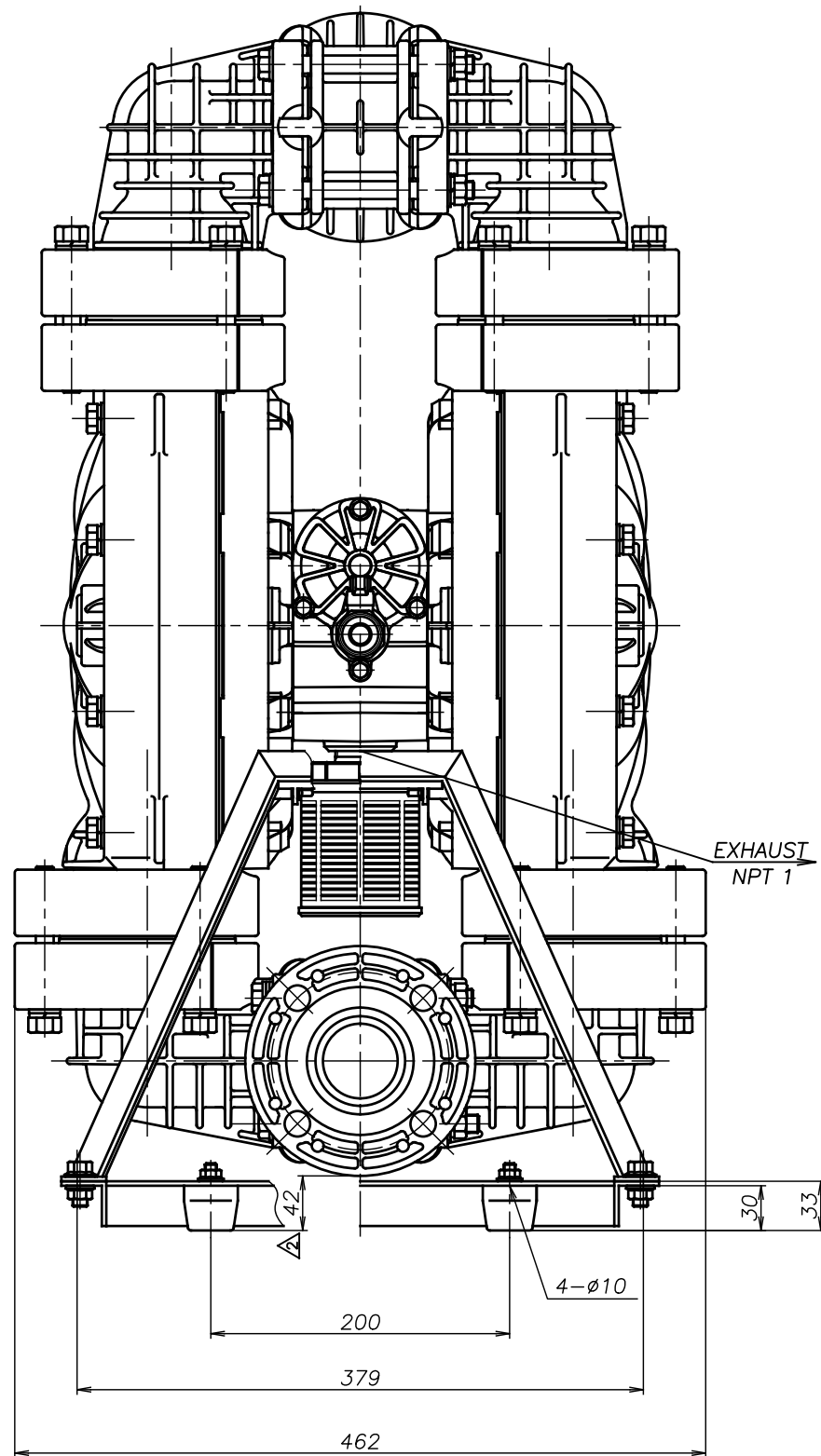


SYM	DWG.NO	CHANGE NO	DATE	REV'D BY
△	ALL	1ME0003	'15. 4.15	K.Nakada
△	ALL	1BE0005	'19.10.28	K.Nakada
△	ALL	1BE0006 異記訂正	'20. 6.23	K.Nakada



△TC-X500VSA	THIRD ANG. PROJ.	DWG.NO.
	SCALE Free	1M00418YN-C
△TC-X500VHA	THIRD ANG. PROJ.	DWG.NO.
	SCALE Free	1M00417YN-C
△TC-X500VTA	THIRD ANG. PROJ.	DWG.NO.
	SCALE Free	1M00416YN-C
△TC-X500VA	THIRD ANG. PROJ.	DWG.NO.
	SCALE Free	1M00415YN-C
APP'D BY '20. 8.18 S.Murata	THE DWG. OF: ダイアフラムポンプアセンブリ DIAPHRAGM PUMP ASSEMBLY	
CHECKED BY '20. 8.18 K.Nakano	△TC-X500VEA	
DRAWN BY '20. 8.18 K.Nakada	THIRD ANG. PROJ.	DWG.NO.
YTS Co., Ltd JAPAN	SCALE Free	1M00414YN-C