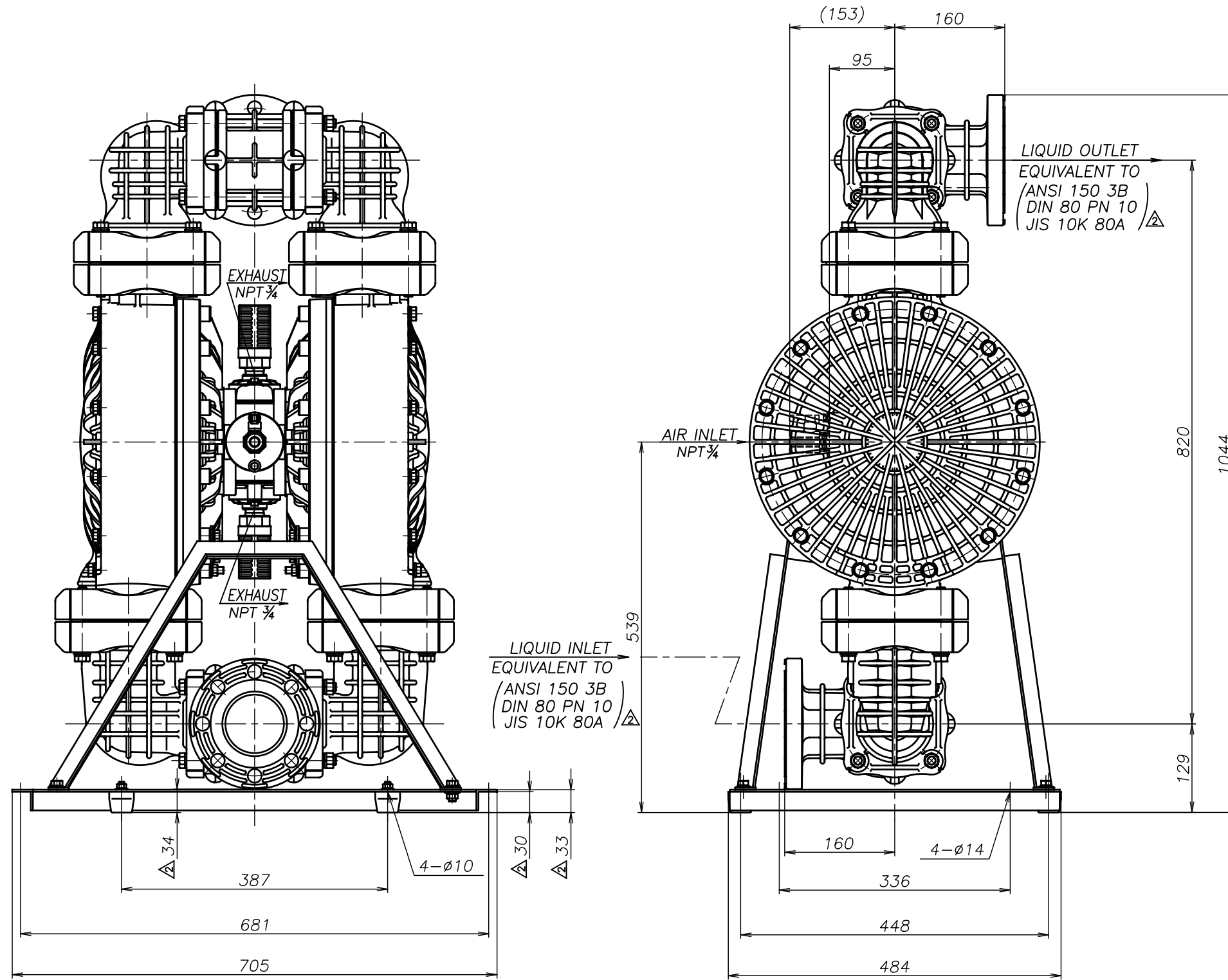


SYM	DWG.NO	CHANGE NO	DATE	REV'D BY
△	ALL	1PE0003	'15.12.21	S.Murata
△	ALL	1BE0005	'19.10.28	K.Nakada
△	ALL	1BE0006 異記訂正	'20. 6.23	K.Nakada



△TC-X800GSA-M	THIRD ANG. PROJ.	DWG.NO.
	SCALE Free	1P00084YN-C
△TC-X800GHA-M	THIRD ANG. PROJ.	DWG.NO.
	SCALE Free	1P00083YN-C
△TC-X800GTA-M	THIRD ANG. PROJ.	DWG.NO.
	SCALE Free	1P00082YN-C
△TC-X800GVA-M	THIRD ANG. PROJ.	DWG.NO.
	SCALE Free	1P00081YN-C
△TC-X800GEA-M	THIRD ANG. PROJ.	DWG.NO.
	SCALE Free	1P00080YN-C
△TC-X800GNA-M	THIRD ANG. PROJ.	DWG.NO.
	SCALE Free	1P00079YN-C

APP'D BY '20. 8.18 S.Murata	THE DWG. OF:
CHECKED BY '20. 8.18 K.Nakano	ダイアフラムポンプアセンブリ
DRAWN BY '20. 8.18 K.Nakada	DIAPHRAGM PUMP ASSEMBLY
	△TC-X800GCA-M
	THIRD ANG. PROJ.
	DWG.NO.
	SCALE Free
	1P00078YN-C

YTS Co., Ltd JAPAN